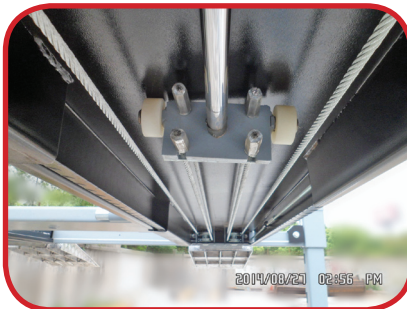




- Lightweight removable alu/composite Approach Ramps



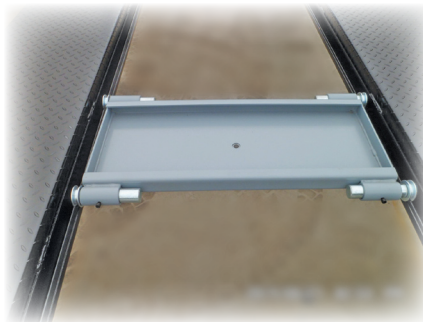
- Exclusive 'Wrap-Around' Crossbar Design



- Rolling Cable Retainer Plate
- Supplied with Castor Kit & Drip Trays
- Optional:-  
Rain Curtain / Tarp
- Call us for current pricing & more info...



- Flexible Power-Pack Positioning



- Rolling Jacking Tray

- High Quality
- Attention To Detail
- Built-In Safety with 'Flow-Control' Valve



## **Lift King 9XL**

### **High Lift (2.098 Drive-Under)**

- No Council Permits
- Flexible / Portable Set-Up
  - Domestic Power
- DIY Install or ask us...
- Jacking Beam Option

### **Exclusive to Hero Hoists:-**

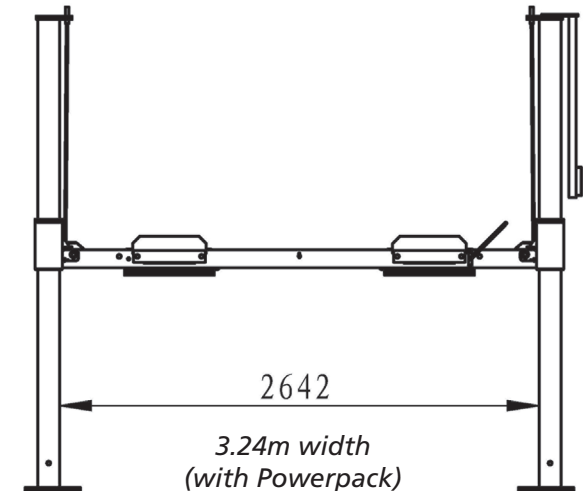
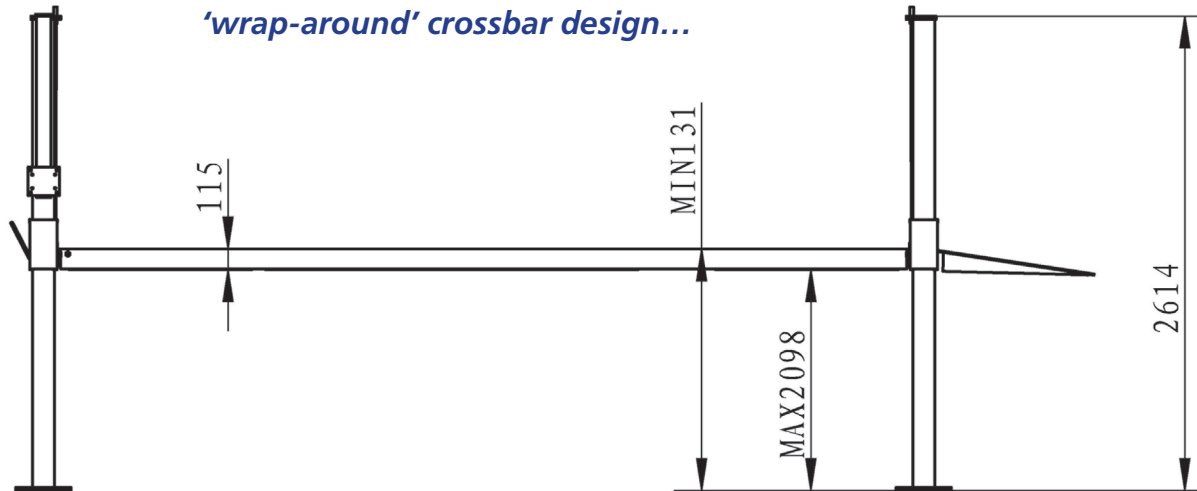
- LIFETIME Structural Warranty \*
- Optional 2-Year Extended Parts & Motor Warranty \*



\* Private Use: Call for details...

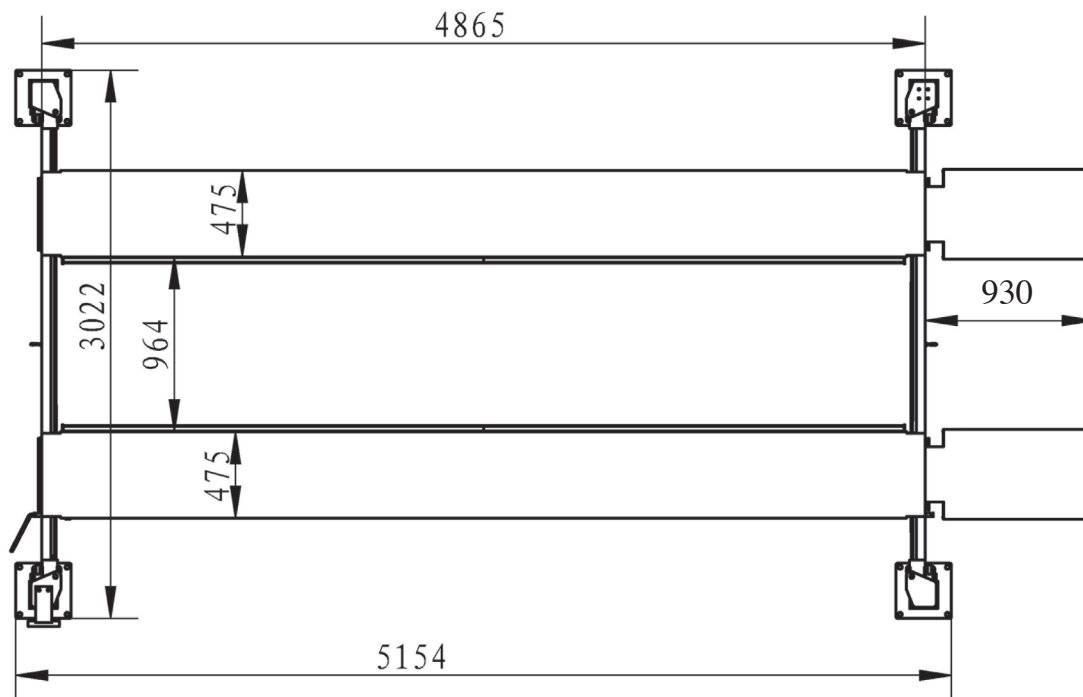
## Lift King 9XL

Exclusive to Hero Hoists with the new  
'wrap-around' crossbar design...



The Lift King 9XL is ideal for longer wheelbase vehicles, or for larger 4WD vehicles.

It's wider between the posts than our standard-sized models, and can park taller vehicles underneath the runways... Use it as a service, and/or storage hoist.



**COMMERCIAL TOUGH**  
Residential Simple



We Sell  
Peace Of Mind...

**High Lift (2.098 Drive-Under)**

- 4000Kgs Capacity
- 3 x Lightweight Drip Trays
- Rolling Jacking Tray
- 240V Domestic Power
- DIY Installation or we can organise it for you...

The Lift King 9XL was designed in collaboration  
with American car enthusiasts...

That's your guarantee of structural integrity  
and easy usability...

